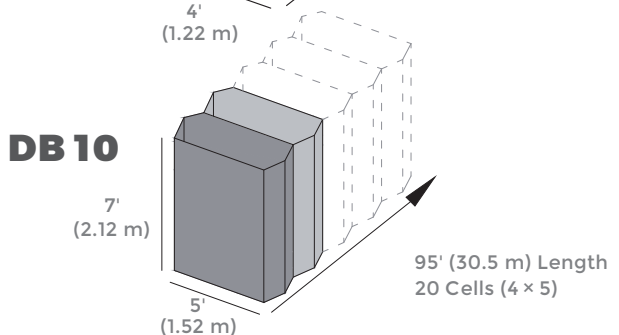
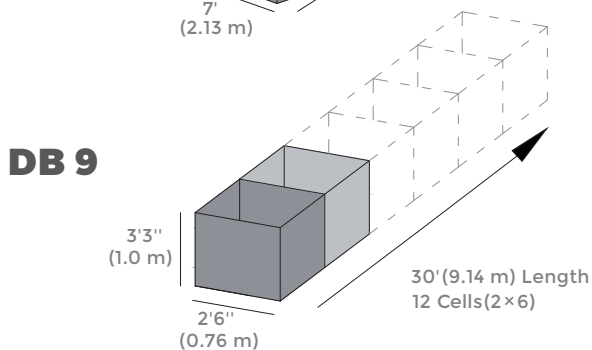
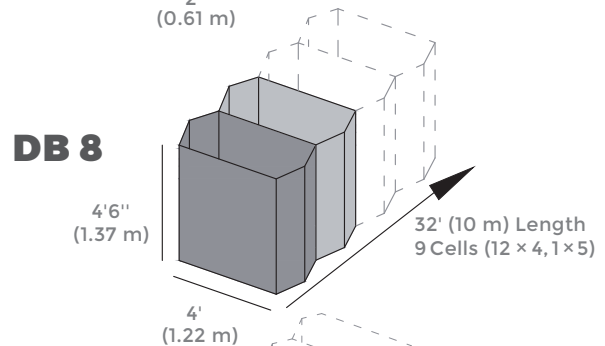
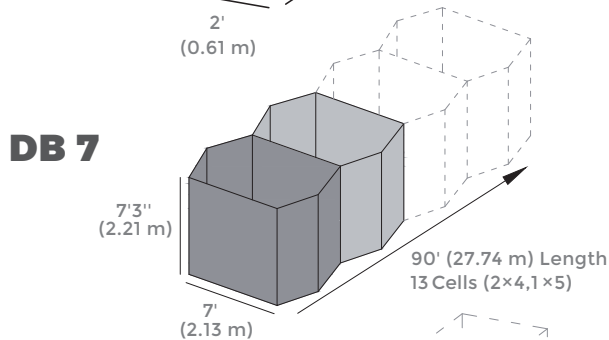
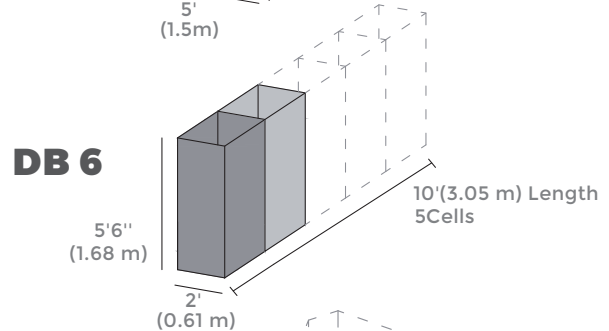
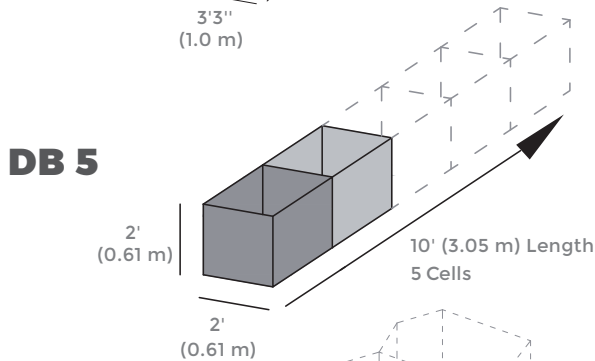
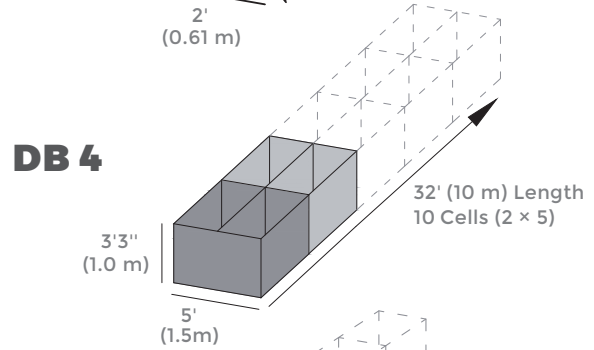
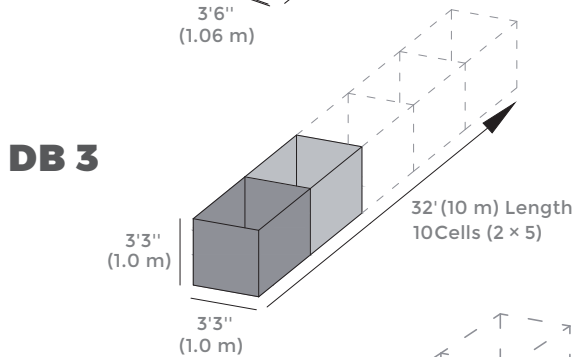
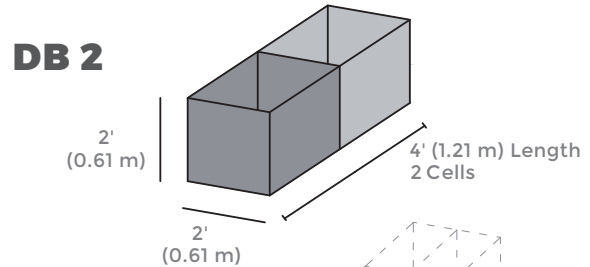
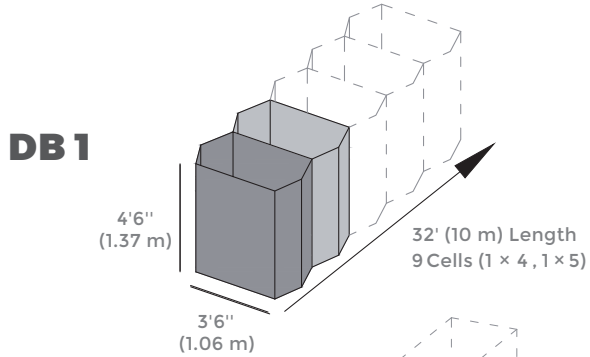
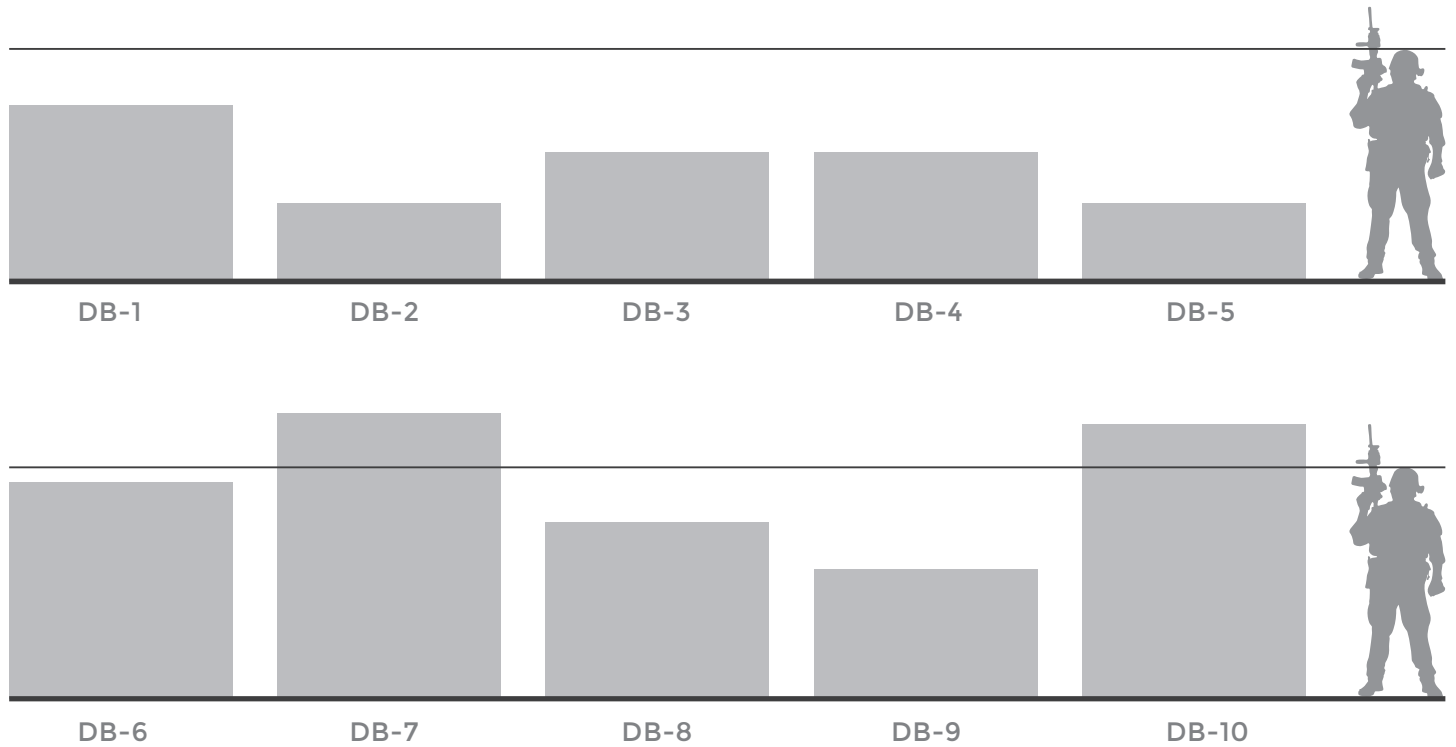


Main Structures

The Defensive barriers are available in various specifications and configurations for complex environments. Here are standard and popular types and specifications in the following.





Common Specs of Defensive Barriers

Item	Height		Width		Length		Cell
	inch	m	inch	m	inch	m	
DB-1	4'6"	1.37	3'6"	1.06	32'	10	9 (1 × 4, 1 × 5)
DB-2	2'	0.61	2'	0.61	4'	1.21	2
DB-3	3'3"	1	3'3"	1	32'	10	10 (2 × 5)
DB-4	3'3"	1	5'	1.5	32'	10	10 (2 × 5)
DB-5	2'	0.61	2'	0.61	10'	3.05	5
DB-6	5'6"	1.68	2'	0.61	10'	3.05	5
DB-7	7'3"	2.21	7'	2.13	90'	27.74	13 (2 × 4, 1 × 5)
DB-8	4'6"	1.37	4'	1.22	32'	10	9 (1 × 4, 1 × 5)
DB-9	3'3"	1	2'6"	0.76	30'	9.14	12 (2 × 6)
DB-10	7'	2.13	5'	1.52	95'	30.5	20 (4 × 5)